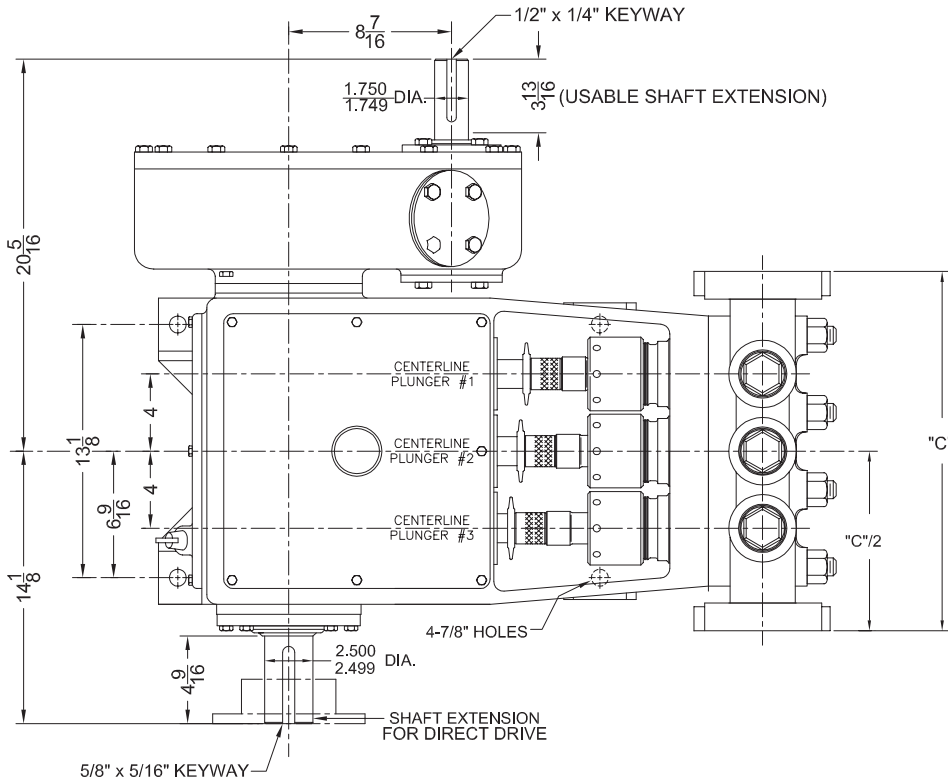
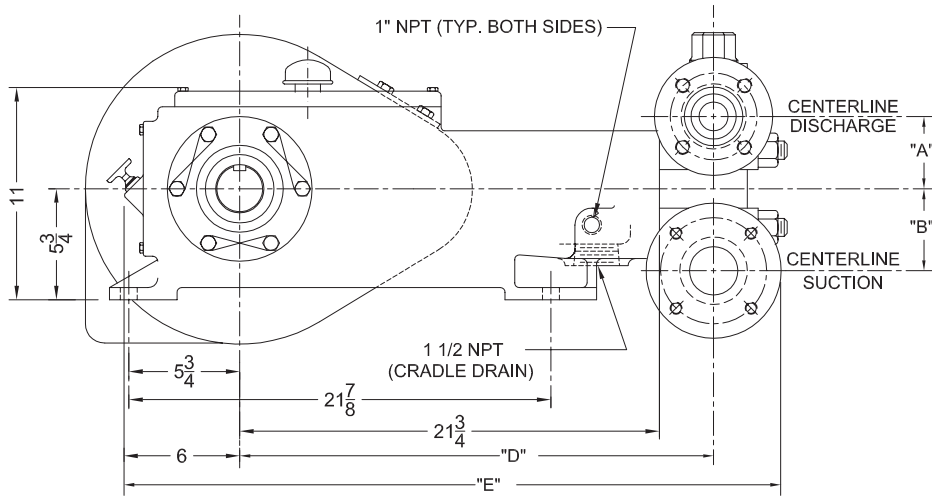


30T-2 Triplex Plunger Pump

Specifications



- Pump Size**
(maximum plunger size x stroke length in.(mm)
2 1/4 x 2 (57.2 x 50.8)
- Rated bhp at 500 rpm (kw):** 30 (22.4)
- Rated plunger load pounds(Kg):** 3565 (1617)
- Maximum discharge pressure: psi(kPa)**
L model: 2000 (13,788)
H model: 5000 (34,470)
- Crankshaft extension: in.(mm)**
Diameter: 2.5/2.499 (63.5/63.4746)
Length: 4 9/16 (115.9)
Keyway (width x depth):
5/8 x 5/16 (15.88 x 7.94)
Maximum recommended sheave in.(mm): 37.5 (952.5)
Minimum recommended sheave in.(mm): 20 (508)
- For larger sizes: **Contact Factory**
- Pinion shaft extension,**
if gear reducer is supplied in.(mm)
For belt or chain drive:
Contact Factory
For direct drive:
Diameter: 1.75/1.749 (44.5/44.425)
Length: 3 13/16 (96.8)
Keyway (width x depth):
1/2 x 1/4 (12.7 x 6.4)
- Accessory gear reduction unit ratio:**
3.50:1, 3.83:1, 4.2:1
- Oil Capacity** gallons (L)
Crankcase: 1.2 (4.5)
Gear Reducer: 2/3 (2.5)
- Weight, pump only on**
wood shipping skids pounds (Kg): 640 (290)
Gear reducer, approximate pounds (Kg):
300 (136.08)



| Pump Model | Flange Connections | | Dimensions in inches (mm) | | | | |
|-----------------|----------------------------|--------------------------|---------------------------|-------|--------|---------|---------|
| | Discharge Connection Sizes | Suction Connection Sizes | A | B | C | D | E |
| 30T-2L Threaded | 1 1/2 (38.10) FNPT | 2 1/2 (63.5) FNPT | 3 3/4 | 4 1/4 | 15 3/4 | 24 9/16 | 32 7/8 |
| 30T-2L Flanged | 1 1/2 (38.10) API-2000 RJ | 2 1/2 (63.5) ANSI-150 FF | 3 3/4 | 4 1/4 | 18 1/4 | 24 9/16 | 34 1/16 |
| 30T-2H | 1 (25.4) ANSI-2500 RJ | 2 (50.8) ANSI-300 FF | 3 5/8 | 4 | 17 1/2 | 24 5/16 | 33 9/16 |

30T-2 Triplex Plunger Pump

Performance Data

| PUMP | English Units | | | | | 200 * RPM | | 300 RPM | | 350 RPM | | 400 RPM | | 450 RPM | | 500 RPM | |
|---------------------------|------------------|----------------------|-------------|-------------|-----------------|-----------|-------|---------|-------|---------|-------|---------|-------|---------|-------|---------|-------|
| | Plunger Dia. In. | Plunger Area Sq. In. | BPD per RPM | GPM per RPM | Max. Press. PSI | BPD | GPM | BPD | GPM | BPD | GPM | BPD | GPM | BPD | GPM | BPD | GPM |
| 30T-2L | 2.250 | 3.9761 | 3.5410 | 0.1033 | 897 | 709 | 20.66 | 1063 | 30.99 | 1240 | 36.16 | 1417 | 41.32 | 1594 | 46.49 | 1771 | 51.65 |
| | 2.000 | 3.1416 | 2.7980 | 0.0816 | 1135 | 560 | 16.32 | 840 | 24.48 | 980 | 28.56 | 1120 | 32.64 | 1260 | 36.72 | 1399 | 40.80 |
| | 1.750 | 2.4053 | 2.1430 | 0.0625 | 1482 | 429 | 12.50 | 643 | 18.75 | 751 | 21.88 | 858 | 25.00 | 965 | 28.13 | 1072 | 31.25 |
| | 1.500 | 1.7671 | 1.5737 | 0.0459 | 2000 | 315 | 9.18 | 473 | 13.77 | 551 | 16.07 | 630 | 18.36 | 709 | 20.66 | 787 | 22.95 |
| 30T-2H | 1.500 | 1.7671 | 1.5737 | 0.0459 | 2000 | 315 | 9.18 | 473 | 13.77 | 551 | 16.07 | 630 | 18.36 | 709 | 20.66 | 787 | 22.95 |
| | 1.375 | 1.4849 | 1.3234 | 0.0386 | 2401 | 265 | 7.72 | 398 | 11.58 | 464 | 13.51 | 530 | 15.44 | 596 | 17.37 | 662 | 19.30 |
| | 1.250 | 1.2272 | 1.0937 | 0.0319 | 2905 | 219 | 6.38 | 329 | 9.57 | 383 | 11.17 | 438 | 12.76 | 493 | 14.36 | 547 | 15.95 |
| | 1.125 | 0.9940 | 0.8846 | 0.0258 | 3586 | 177 | 5.16 | 266 | 7.74 | 310 | 9.03 | 354 | 10.32 | 399 | 11.61 | 443 | 12.90 |
| | 1.000 | 0.7854 | 0.6994 | 0.0204 | 4539 | 140 | 4.08 | 210 | 6.12 | 245 | 7.14 | 280 | 8.16 | 315 | 9.18 | 350 | 10.20 |
| | 0.938 | 0.6910 | 0.6137 | 0.0179 | 5000 | 123 | 3.58 | 185 | 5.37 | 215 | 6.27 | 246 | 7.16 | 277 | 8.06 | 307 | 8.95 |
| Brake Horsepower Required | | | | | | 12.0 | | 18.0 | | 21.0 | | 24 | | 27 | | 30 | |

| PUMP | Metric Units | | | | | 200 * RPM | | 300 RPM | | 350 RPM | | 400 RPM | | 450 RPM | | 500 RPM | |
|--------------------|-----------------|------------------------------|----------------------------|----------------|-----------------|--------------------|--------|--------------------|--------|--------------------|--------|--------------------|--------|--------------------|--------|--------------------|--------|
| | Plunger Dia. mm | Plunger Area cm ² | M ³ /Hr per RPM | L/Sec. per RPM | Max. Press. kPa | M ³ /Hr | L/Sec. | M ³ /Hr | L/Sec. | M ³ /Hr | L/Sec. | M ³ /Hr | L/Sec. | M ³ /Hr | L/Sec. | M ³ /Hr | L/Sec. |
| 30T-2L | 57 | 25.652 | 0.0235 | 0.0065 | 6185 | 4.69 | 1.30 | 7.04 | 1.96 | 8.21 | 2.28 | 9.38 | 2.61 | 10.56 | 2.93 | 11.73 | 3.26 |
| | 51 | 20.268 | 0.0185 | 0.0051 | 7826 | 3.71 | 1.03 | 5.56 | 1.54 | 6.49 | 1.80 | 7.41 | 2.06 | 8.34 | 2.32 | 9.27 | 2.57 |
| | 44 | 15.518 | 0.0142 | 0.0039 | 10218 | 2.84 | 0.79 | 4.26 | 1.18 | 4.97 | 1.38 | 5.68 | 1.58 | 6.39 | 1.77 | 7.10 | 1.97 |
| | 38 | 11.401 | 0.0104 | 0.0029 | 13790 | 2.08 | 0.58 | 3.13 | 0.87 | 3.65 | 1.01 | 4.17 | 1.16 | 4.69 | 1.30 | 5.21 | 1.45 |
| 30T-2H | 38 | 11.401 | 0.0104 | 0.0029 | 13790 | 2.08 | 0.58 | 3.13 | 0.87 | 3.65 | 1.01 | 4.17 | 1.16 | 4.69 | 1.30 | 5.21 | 1.45 |
| | 35 | 9.580 | 0.0088 | 0.0024 | 16554 | 1.75 | 0.49 | 2.63 | 0.73 | 3.07 | 0.85 | 3.51 | 0.97 | 3.94 | 1.10 | 4.38 | 1.22 |
| | 32 | 7.917 | 0.0072 | 0.0020 | 20029 | 1.45 | 0.40 | 2.17 | 0.60 | 2.54 | 0.70 | 2.90 | 0.81 | 3.26 | 0.91 | 3.62 | 1.01 |
| | 29 | 6.413 | 0.0059 | 0.0016 | 24725 | 1.17 | 0.33 | 1.76 | 0.49 | 2.05 | 0.57 | 2.34 | 0.65 | 2.64 | 0.73 | 2.93 | 0.81 |
| | 25 | 5.067 | 0.0046 | 0.0013 | 31295 | 0.93 | 0.26 | 1.39 | 0.39 | 1.62 | 0.45 | 1.85 | 0.51 | 2.08 | 0.58 | 2.32 | 0.64 |
| | 24 | 4.458 | 0.0041 | 0.0011 | 34474 | 0.81 | 0.23 | 1.22 | 0.34 | 1.42 | 0.40 | 1.63 | 0.45 | 1.83 | 0.51 | 2.03 | 0.56 |
| Kilowatts Required | | | | | | 8.9 | | 13.4 | | 15.7 | | 18 | | 20 | | 22 | |

Volumetric Rate is based on 100% Volumetric Efficiency. Brake Horsepower/Kilowatts Required is based on 90% Mechanical Efficiency. * For operation below 200 RPM, auxiliary lubrication system required. Not all plunger sizes are shown. Contact National-Oilwell for additional information.

The information and data on this sheet is accurate to the best of our knowledge and belief, but are intended for general information only. Applications suggested for the materials are described only to help readers make their own evaluations and decisions, and are neither guarantees nor to be construed as express or implied warranties of suitability for these or other applications. National Oilwell makes no warranty either express or implied beyond that stipulated in National Oilwell Standard Terms and Conditions of Sale.

Authorized Distributor:



www.nov.com • mission.sales@nov.com
 10000 Richmond, Houston, Texas 77042
 (713)346-7500 (phone) • (713)346-7366 (fax)